



Deep Rotor VSI Crusher

Reach new height with KEFID

- The energy consumption reduce 26%
- The capacity increase 30%
- The operation cost reduce 30%
- Prolong the service life of wear-resistant parts





As China's largest crushing plant, mill equipments and beneficiation plants production base, kefid has exported large quantities and high-end mobile crushing plant and milling equipments to Russia, Kazakhstan, Indonesia, Ecuador, South Africa, Nigeria, Turkey more than 100 countries and regions and have solved about thousands of and beneficiation projects all over the world, which has made tremendous contributions to the local construction, mining industry and developments.

Deep Rotor VSI Crusher integrates many patents and three crushing methods, is a new and high efficiency crusher. It is a key equipment to provide excellent aggregate to highway, railway, bridge, water resource and hydropower industry, and offer better performance and reliability. Deep Rotor VSI Crusher gets high reputation both at home and abroad. It will bring you more business chances and more benefits.



Deep Rotor VSI Crusher own three national patent

1.Unique structure design. Rotor with deep chamber increases 30% capacity after perfect design.

2.Reduce the operation cost.Combined hammer design,only need to replace the wearing part, can reduce the operation cost by over 30%,and Rhombus shape impact plate is used to prevent the damage of vertical plate.

3.Excellent materials. The key components' material adopt the wear-resistant and high temperature resistant materials of the important industries in the USA.

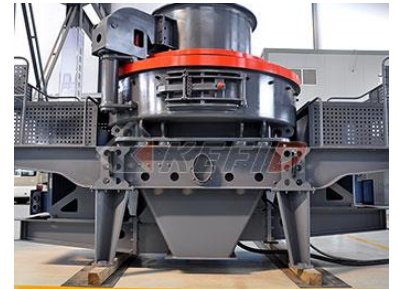
4.Perfect graded final products with excellent shape.

5.Convenient hydraulic opening cover device.Japanese hydraulic opening

cover device is originally imported. The cover is moved easily and replacement and inspection of inner part is easy.

6.Special seal structure in lower part of main shaft guarantees no oil leak even without seal.

7.Flexible usage. The equipment can be used in stationary crushers and mobile crushers.





Fine crushing and screening mobile station-**vertical shaft impact crusher mobile station**

MAIN FEATURE

Equipped with vertical shaft impact crusher that of large crushing ratio, excellent output shape.

Adaptive host switching equipment, to meet the personalized needs of customers.

Easy and flexible to park, get into the work mode quickly.

With screening unit and crushing unit exchange system, the body can be reused.

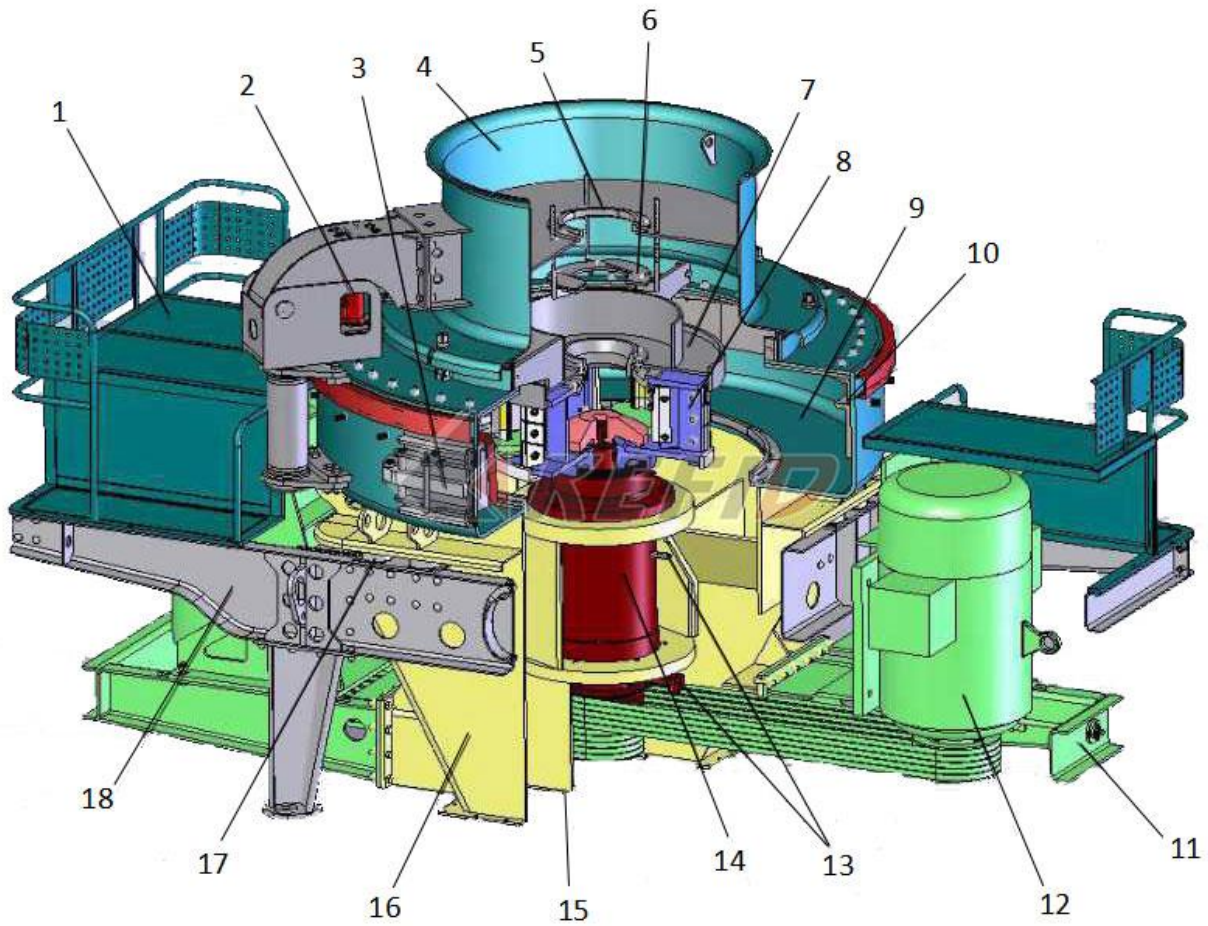
Expert on cubial shape stone creating the perfect shape.

Characters of Mobile Vertical Shaft Impact Crushing Plant: High capacity, suitable for fine crushing, shape adjusting easily, high performance, flexible, integral crushing & screening and belt conveyor self-loaded.

Extended functions

Interchange system of screening unit and crushing unit: A vehicle frame issuitable for 4 plant models and equipped with interchange system for screening unit and crushing unit. The customers just need to re-purchase the main equipment, then they can totally achieve the interchange on one body frame, between the different screening unitsand crushing units. The perfect matching between different parts of one plant adapts to a wider scope of application. With a more comprehensive crushing function, the customers get the maximum use of our products.





- | | | |
|------------------------------|---------------------|-------------------------|
| 1- Tread plate frame | 7- Spread dish | 13- Receiving point |
| 2- Manual hydraulic cylinder | 8- Working impeller | 14- Main shaft assembly |
| 3- Observation door | 9- Crushing cavity | 15- Discharge gate |
| 4- Feeding hopper | 10- Liner plate | 16- Lower frame body |
| 5- Feeding retainer | 11- Motor frame | 17- Shock-reducing |
| 6- Distributing cone | 12- Main motor | 18- Frame |

Technical Parameters of Deep Rotor VSI Crusher

Mm to inch conversion: 25.4millimeters=1 inch.

model		DR-7615	DR-8522	DR-9532	DR-1145
Throughput capacity (t/h)	Center and Ring feeding	150~280	240~380	350~540	500~640
	Center feeding	70~140	120~200	180~280	250~360
Max. Feed Size (mm)	Soft material	<35	<40	<45	<50
	Hard material	<30	<35	<40	<45
Rotation speed (r/min)		1700~1900	1500~1700	1300~1510	1100~1310
Power of double motor (KW)		110~150	180~220	260~320	400~440
Overall dimension L x W x H (mm)		4100×2330×2300	4140×2500×2700	4560×2600×2900	5100×2790×3320
Weight (t)		8.6	11.8	17.5	27.5
Power source		380v, 50Hz			
Thin oil lubrication station	Power for double oil pump	2 x 0.31 KW			
	Safety	To make sure the supply of oil with double oil pump, working without oil, temperature when water cools, start the motor by heating it in winter.			
	Power for oil box heater	2 KW			
	Overall dimension L x W x H (mm)	820 x 520 x 1270			

Note: Capacity depends on crushing limestone, material size, moisture and features also affect capacity.

2. Lubricating system parameter:

Oil box volume (L)	240
Rated pressure (MPa)	0.63
Flow capacity (L/min)	8
Power (KW)	0.31
Cooling water consumption (m3/h)	≥1.2
Electrical heating voltage (V)	220
Medium	Bearing oil 32—46#

Note: Any change of Deep Rotor VSI Crusher technical data shall not be advised additionally.

The Analysis of Large-scale Sand Production Line



Kefid **150tph** cobble crushing line in Philippines



MATERIAL : cobblestone

FEEDING SIZE : 500mm

OUTPUT SIZE : 0-5mm

CAPACITY (TPH) : 150T/h

EQUIPMENT : ZSW1100×4200Vibrating screen 、
PE750×1060Jaw crusher 、 HPT300cone crusher 、
VSIDR9532 Deep Rotor VSI Crusher 、 3YZS2160
Vibrating screen

Kefid **150tph** andesite crushing line in Indonesia



MATERIAL : andesite

FEEDING SIZE : 500mm

OUTPUT SIZE : 0-5mm , 5-10mm, 10-20mm, 20-30mm

CAPACITY (TPH) : 150T/h

EQUIPMENT : ZSW1100×4200Vibrating screen 、
PE750×1060Jaw crusher 、 CSB160cone crusher 、
VSIDR8522 Deep Rotor VSI Crusher 、 3YZS2160
Vibrating screen



The Strength of Kefid

Kefid Machinery is a leading and pioneering enterprise with the most advanced international level in R&D, manufacturing and selling of large-scale crushing & screening plants and beneficiation plants. Located in a historic city and transportation hub in central China-Zhengzhou, covering 140 thousand square meters, Kefid has Shangjie and High-tech zone two production bases. Shangjie Zone which covers 80,000 square meters has three heavy-duty and modern integrated assembling workshops--occupying 50,000 square meters; High-tech zone has 22 floors R&D Management laboratory building with 26,000 square meters, comprehensive equipments exhibition hall with 5,100 square meters, heavy-duty and modern integrated assembling workshop with 10,000 square meters, and also has the industry's most advanced machining workshop 20,000 square meters, and hundred sets of advanced large-scale vertical lathe, fixed lathe, planner, boring lathe, grinder and milling machines.



SERVICE-With Me- Enjoy your pleasant journey

Your profit is our greatest concern and your praise is the biggest compliment that we diligently strive for. Our aim is, with the core of service, tailored for you the most valuable products with comprehensive pre-sale, sale and after sale service.

Tel: 0086-371-67999255

Email: Sales@kefid.com



SPARE PARTS

Deep Rotor VSI Crusher



Feeding pipe



Dispensing Cone



Bearing cylinder



Host bearing



The bushing ring of hopper

Sand-making Equipment



Circum Guard plate



Impact Plate



Impact Block



Hammer



wearproof Plate

Crushing Plant



Rotor Assembly



Liner Board



Hammer Bar



Wedge



Impact Plate

PRODUCT LIST

Stationary Crushers

JC Series Jaw Crusher
Jaw Crusher
C6X Series Jaw Crusher
Primary Impact Crusher
CI5X Series Impact Crusher
Impact Crusher
CS Cone Crusher
Spring Cone Crusher
HPT Cone Crusher
Deep Rotor VSI Crusher
B Series VSI Crusher
VSI6S vertical shaft impact crusher

VU System Equipment

Dry Sand Making System
Dry-Mixed Mortar Sand Making Equipment
Concrete-Use Sand Making Equipment

Grinding Mills

Ultra Fine Vertical Grinding Mill
VM - Vertical Grinding Mill
European Tech. Grinding Mill
Micro Powder Mill
Raymond Mill
Ball Mill

Washing & Screening

F5X Heavy Vibrating Feeder
Screw Sand Washing Machine
Wheel Sand Washing Machine
Vibrating Feeder
Belt Conveyor

K series mobile plants

Primary mobile crushing plant
Mobile Secondary Crushing & Screening Plant
Independent Operating Combined Mobile Station
Fine crushing and screening mobile station
Fine crushing & washing mobile station
Three combinations mobile crushing plant
Four combinations mobile crushing plant

Crawler Mobile Crusher

Ore Beneficiation

Jaw Crusher
HPT Cone Crusher
Ball Mill
Rotary Kiln
Flotation Machine
High Gradient Magnetic Separator

Address: National HI-TECH Industry Development Zone.Zhengzhou,China.

Tel : 0086-371-67999255(24 Hour) / 67988500

Fax: 0086-371-67998980

Zip code: 450001

Email: sales@kefid.com

Web: <http://www.kefid.com>

